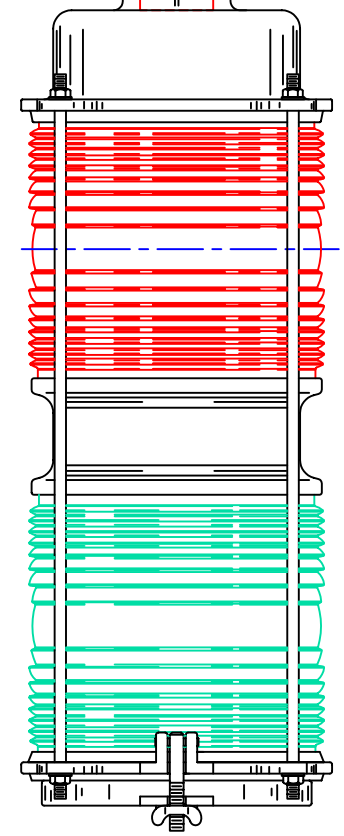
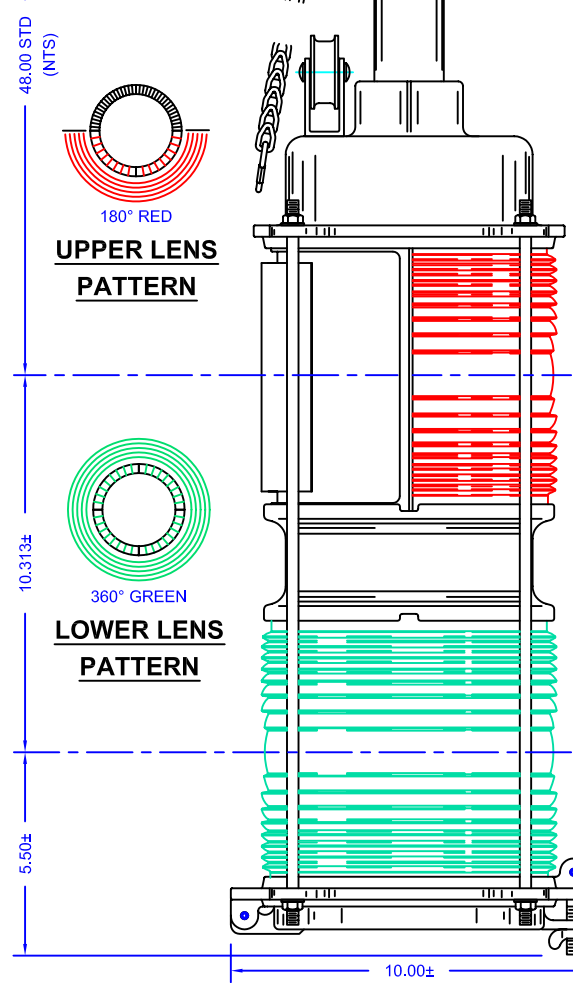
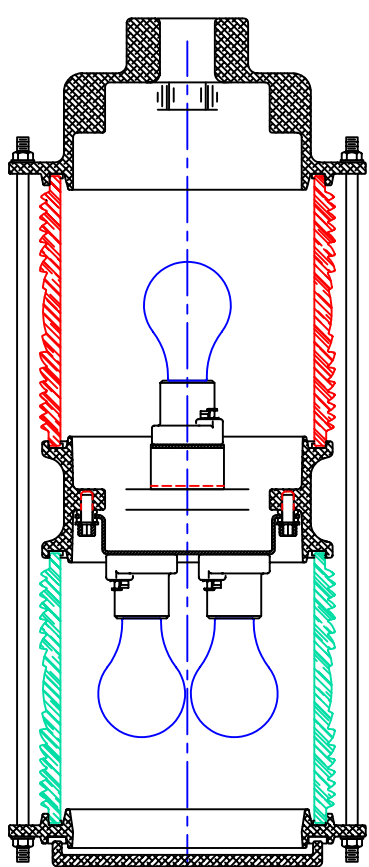
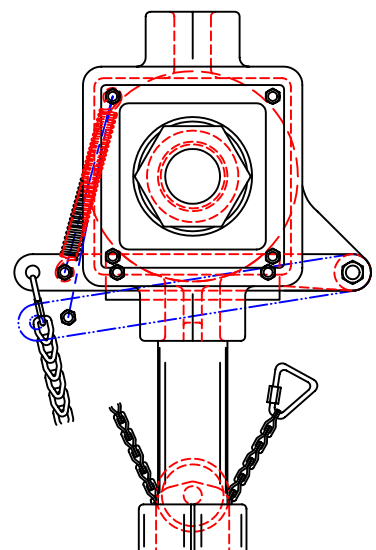
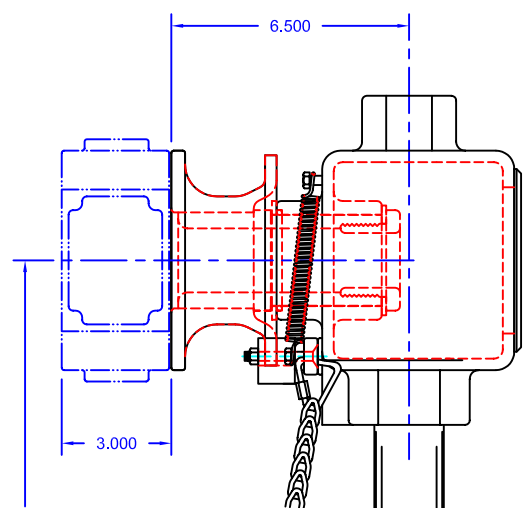
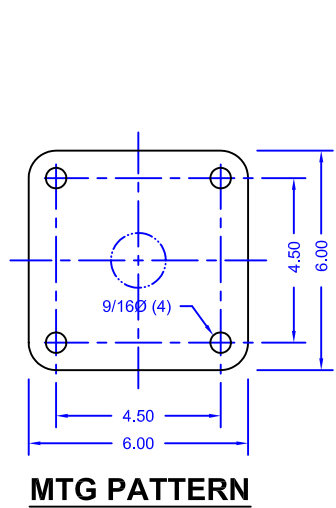


# VL Vertical Lift Light Basic Dimensions



**FIXTURE SECTION**

**OVERALL DIMENSIONS**