

AHR-1 & AHR-2 AIR HORN Specifications



The AHR-1 & AHR-2 air horn merges the best features of earlier bridge horns to create a rugged and reliable unit. Single or Dual stainless steel projectors offer superior corrosion resistance and provide uni- or bi-directional projection for vessels approaching a bridge. A weather-proof compressor unit allows installation at any convenient location. The powerful, piercing trumpet tone is audible even over high noise levels. Designed for quick setup and maintenance-free operation, the AHR-1 & AHR-2 are the solution for aural marine traffic signaling or for warning applications at large storage yards or other industrial facilities.

GENERAL: The air horn shall be Model AHR-2 (dual projectors) [AHR-1 (single projector)] made by B&B Roadway, LLC, (888) 560-2060, or an approved equal meeting all specifications defined herein.

APPLICATIONS: The air horn shall be used as an aural signal to draw attention to operation of the bridge.

PROJECTORS: The projectors [projector] shall be of stainless steel, approximately 16" (392mm) in overall length each, and shall feature a diaphragm designed for high pressure operation and low air consumption. The projectors [projector] shall be capable of producing a tone between 260 and 300 Hz with a decibel rating of 120db at 3 meters (10 feet). Tone and volume shall be field adjustable.

COMPRESSOR UNIT: Compressor motor shall be 1 hp [$\frac{3}{4}$ hp for AHR-1], 120V [option: 230V], 60Hz. Compressor shall be a weatherproof, rapid response, direct drive piston type compressor. Piston and cylinder shall be an oil-less, non-lubricated type, with a Teflon compound piston ring. Compressor valves shall be stainless steel. Bearings shall be permanently sealed, pre-lubricated ball type, requiring no maintenance. All components and fasteners shall be corrosion resistant.

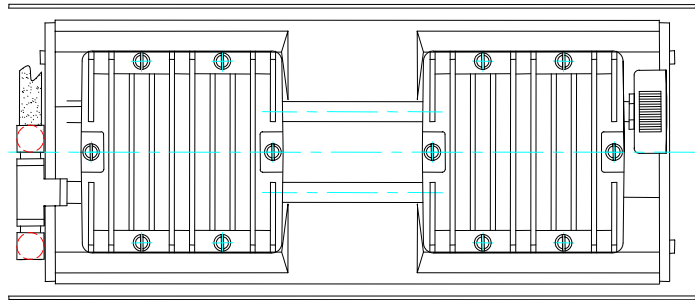
MOUNTING: The standard air horn assembly shall be a single unit comprised of compressor and horns and shall be suitable for outdoor mounting.

FIELD CONNECTIONS: The electrical contractor shall also provide a pushbutton or similar control device at the control station for operation of the air horn.

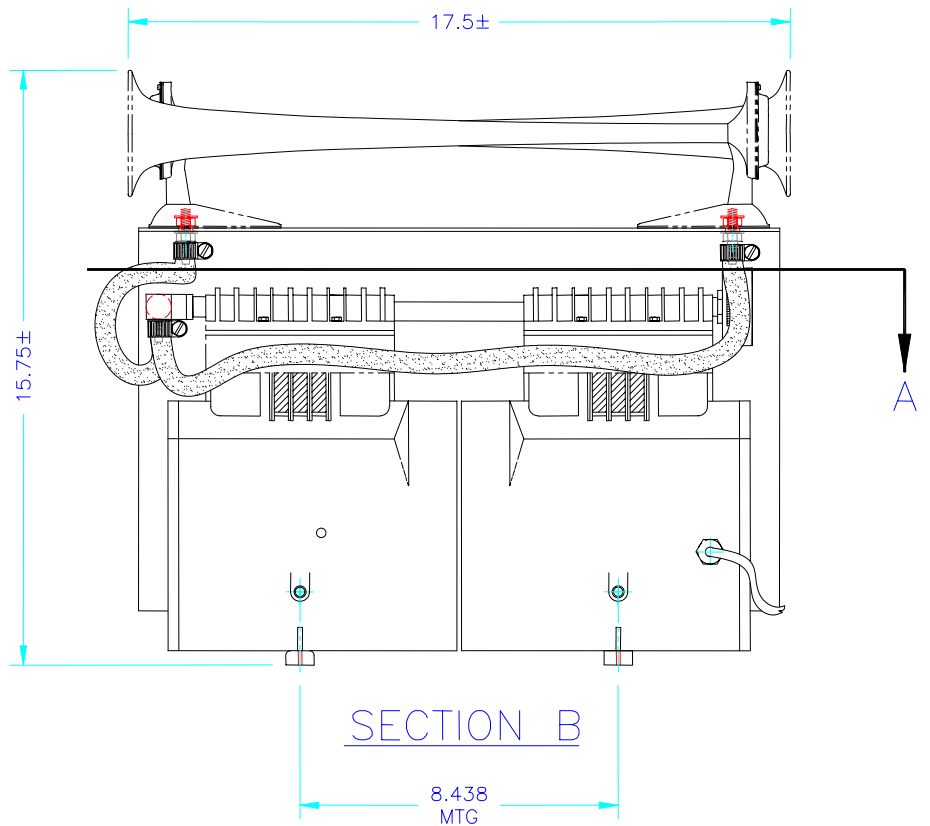
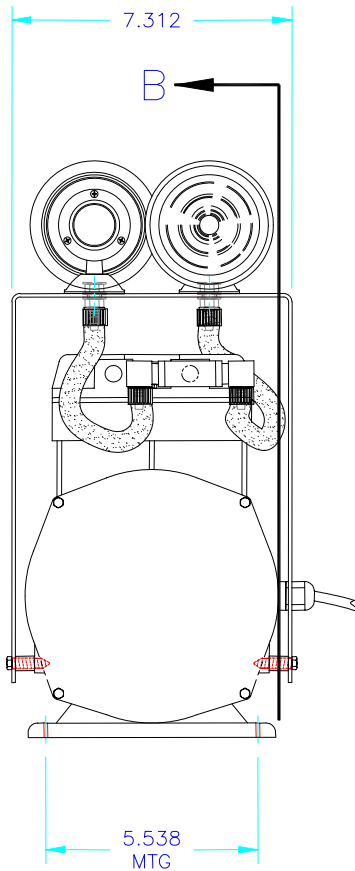
Revised 3/06

AHR-1 & AHR-2 AIR HORN

Basic Dimensions



SECTION A



SECTION B